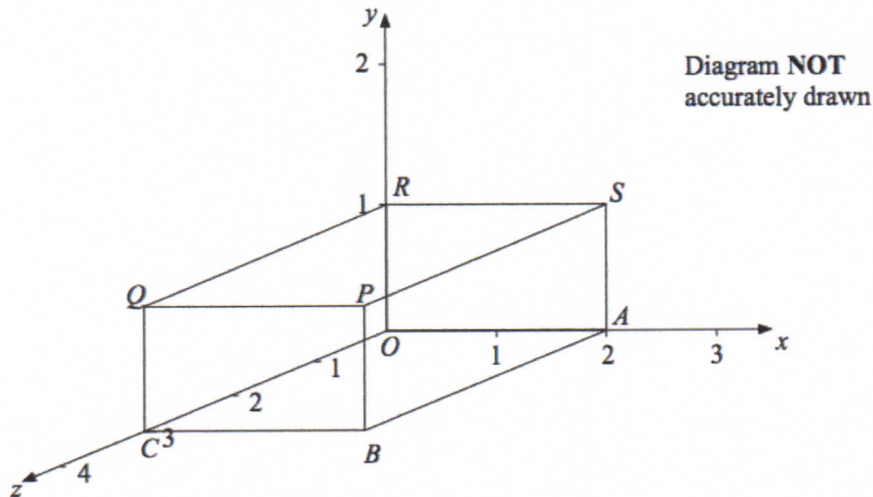


Geometry - Coordinates in 3D

Q1



A cuboid is shown on a 3-dimensional grid.

(a) Write down the letter of the point with coordinates $(2, 1, 0)$.

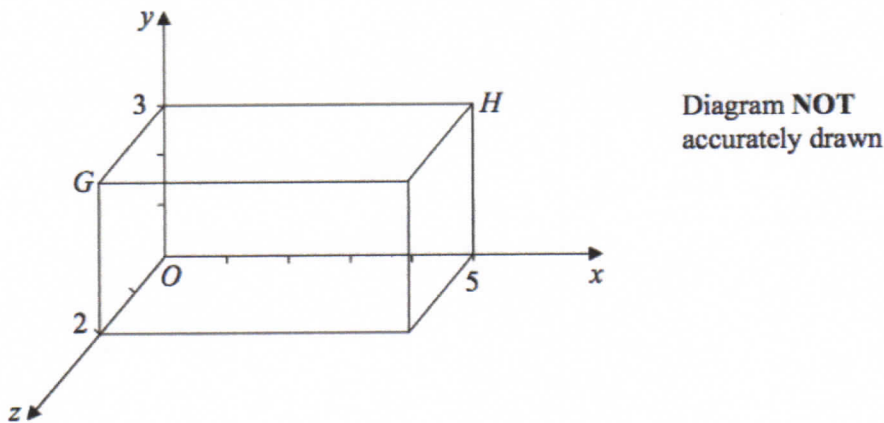
.....
(1)

(b) Write down the coordinates of the point P .

(.....,,)
(1)

Q2

G and H are vertices of a cuboid.



(a) Write down the coordinates of point G .

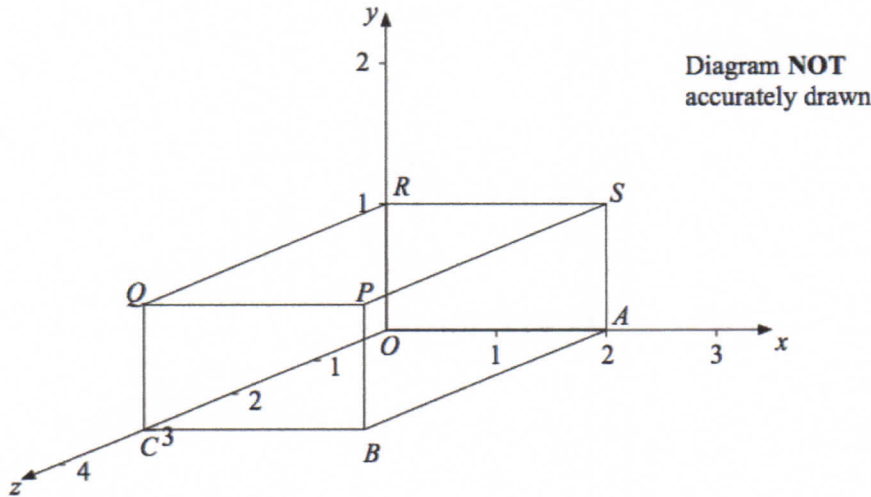
(.....,,)
(1)

(b) Write down the coordinates of point H .

(.....,,)
(1)

Geometry - Coordinates in 3D

Q1



A cuboid is shown on a 3-dimensional grid.

(a) Write down the letter of the point with coordinates (2, 1, 0).

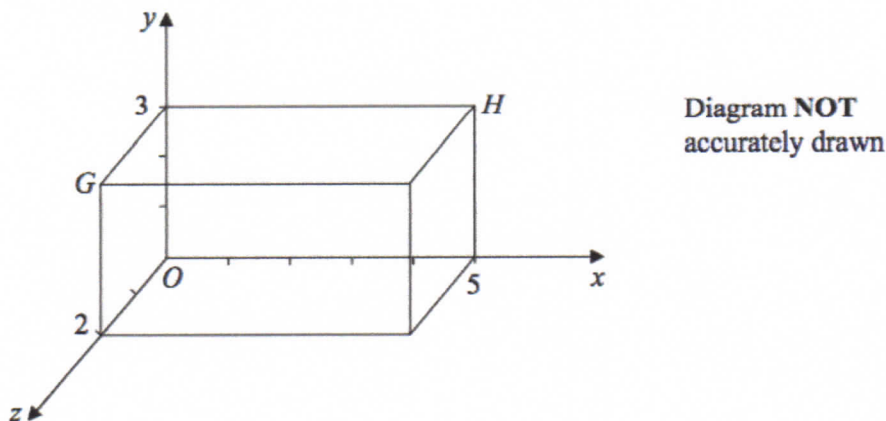
S
.....
(1)

(b) Write down the coordinates of the point P.

(2 , 1 , 1)
.....
(1)

Q2

G and H are vertices of a cuboid.



(a) Write down the coordinates of point G.

(0 , 3 , 2)
.....
(1)

(b) Write down the coordinates of point H.

(5 , 3 , 2)
.....
(1)